



Air Pressure Multiplier

Outlet Pressure is doubled the Inlet Pressure

- Booster starts automatically when the supply pressure is applied
- Switches to energy-saving mode when set pressure is reached
- Restarts automatically if the pressure drops during system operation
- Check valve maintains outlet pressure when the supply cut off
- Can be mounted on any positions
- Suitable to Ex-proof environment
- Optional reservoir tank after booster to prevent fluctuating outlet pressure



KINETIC FLUIDTRONICS INC.

2357 Osmena Highway Malate,
Sta. Ana, Manila Philippines
Tel # 404-3782/83, 527-1236, 524-5374
Fax # 404-3785 E-mail: kfti@pltdsl.net

A FLUID CONTROL SOLUTIONS COMPANY



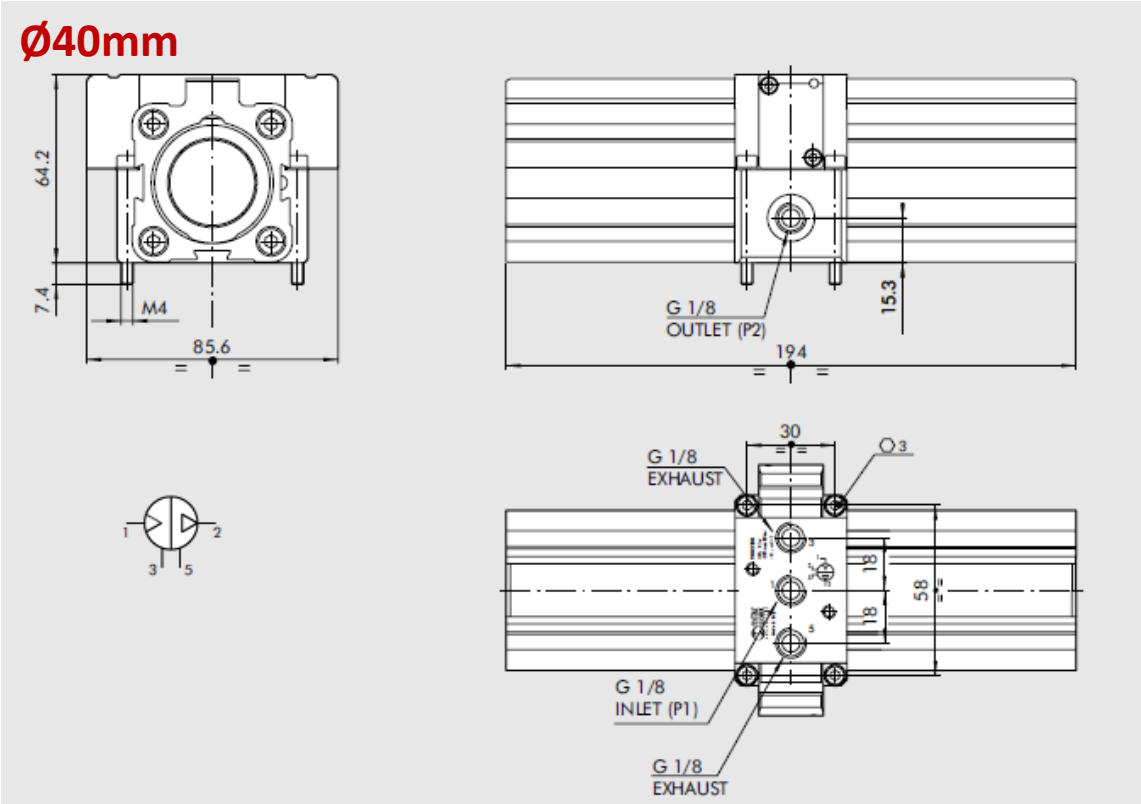
Pressure Multiplier without Regulator

Ø40mm model 9002100
 Ø63mm model 9002300

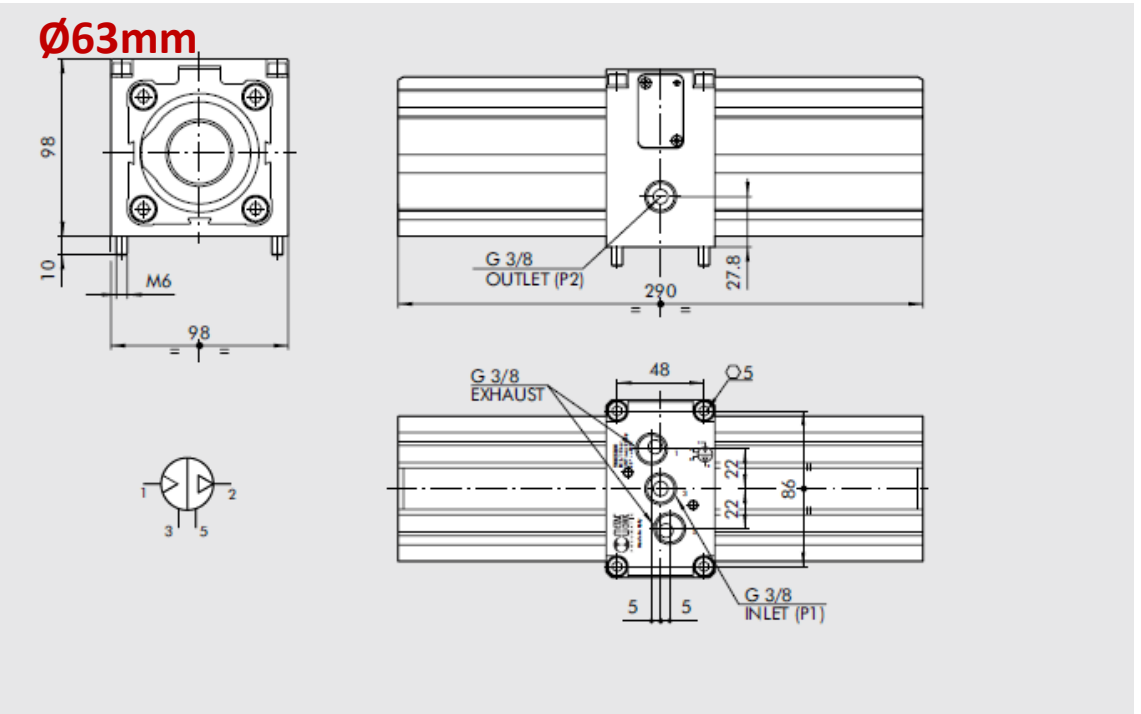


Dimensions without regulator

Ø40mm



Ø63mm

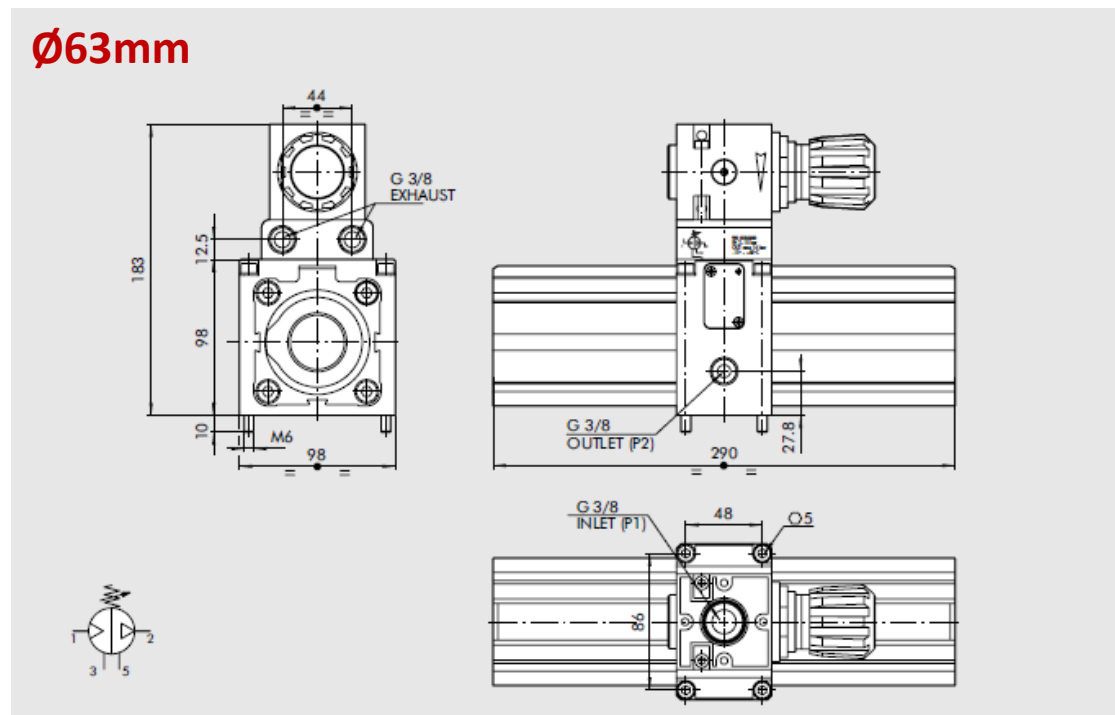
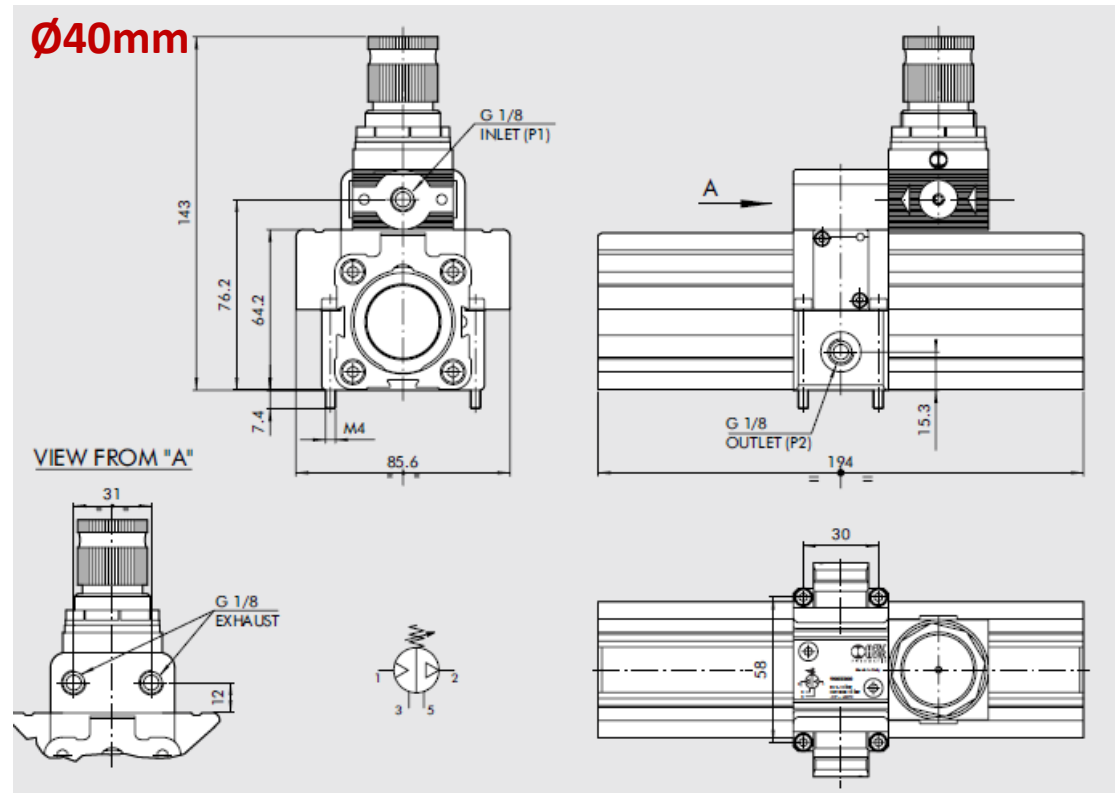


Pressure Multiplier with Regulator

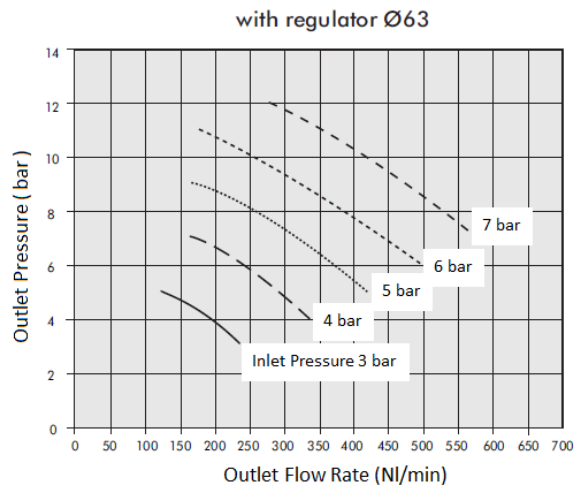
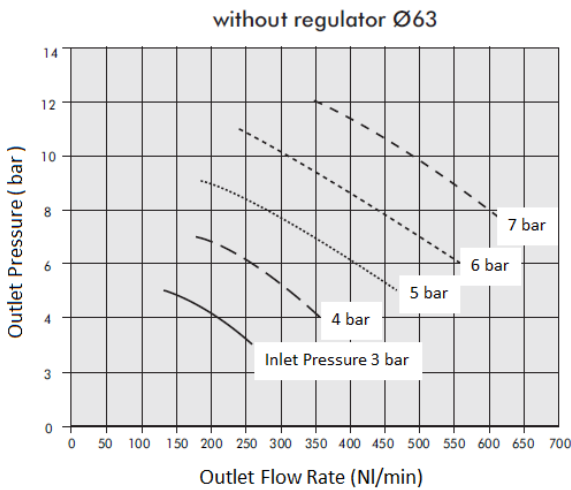
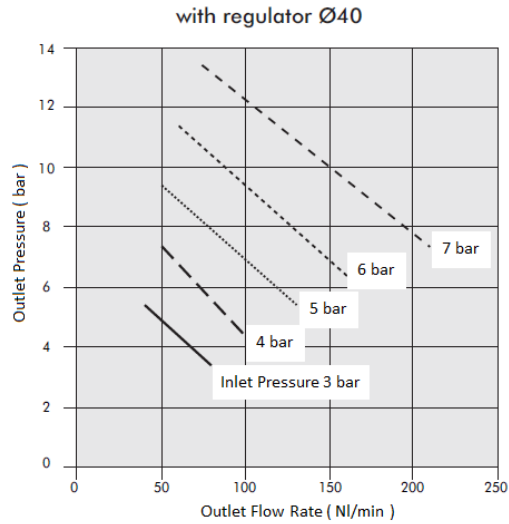
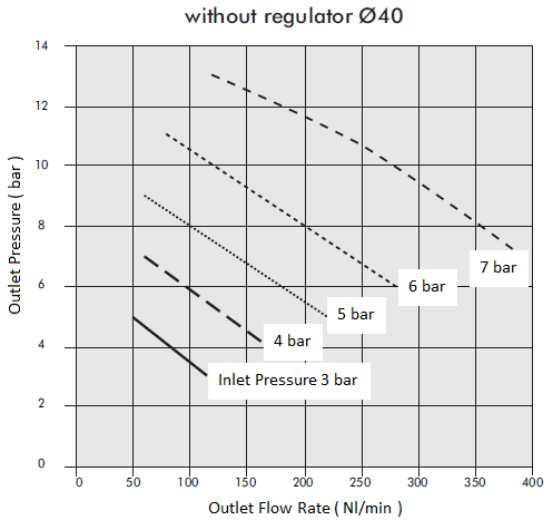
Ø40mm model 9002200
Ø63mm model 9002600



Dimensions with regulator

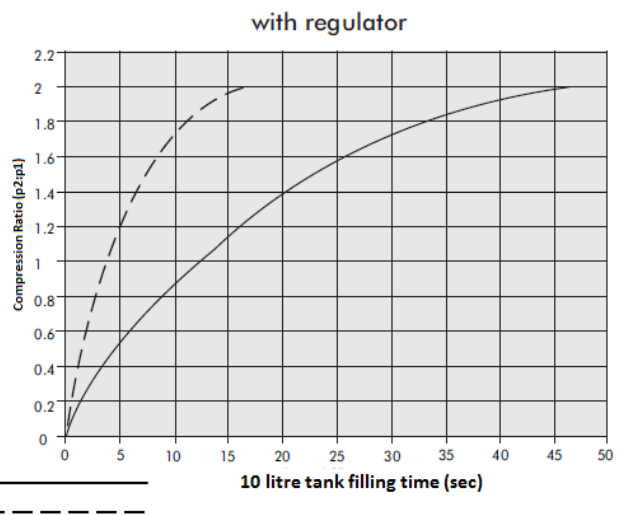
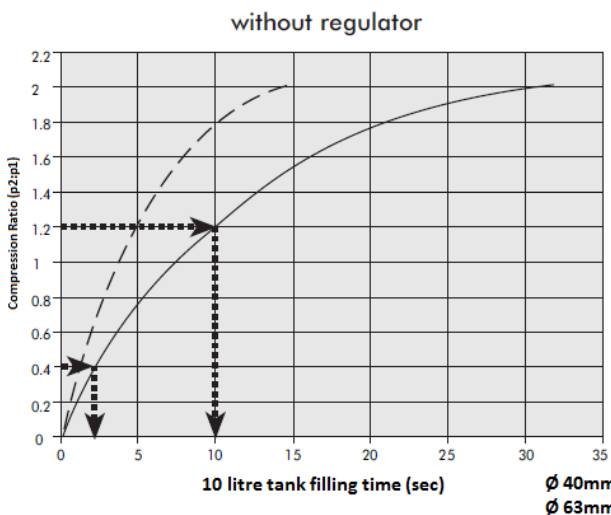


Flow Charts



Note: It is recommended to connection of a 3/2-way on-off valve on the output pressure side of the pressure booster for safe venting of the residual pressure when it is not in used.

Tank filling Curve



KINETIC FLUIDTRONICS INC.

Website: www.kfti.com.ph