

# REGTRONIC

Regulate a precise pressure in a system in response to input electronic commands



# High Flow...

Flow at 6,3 bar  $\Delta P$  1 bar

# 1700 NI/min

## Proportional Pressure Regulator

### PRECISION

#### Linearity

$\pm 0,5\%$  (full scale)

#### Hysteresis

$\pm 0,2\%$  (full scale)

#### Repeatability

$\pm 0,2\%$  (full scale)

#### Sensitivity

range **10 to 100** mbar

### Simple and user friendly Set up program

- LANGUAGE
- UNIT OF MEASUREMENT
- TYPE OF INPUT
- TYPE OF DIGITAL OUTPUT
- DEAD-BAND
- FULL SCALE
- MINIMUM PRESSURE

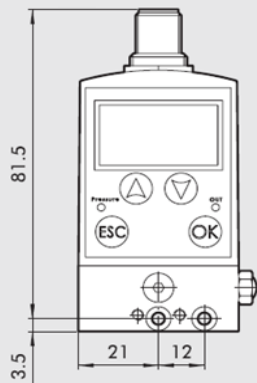


### KINETIC FLUIDTRONICS INC.

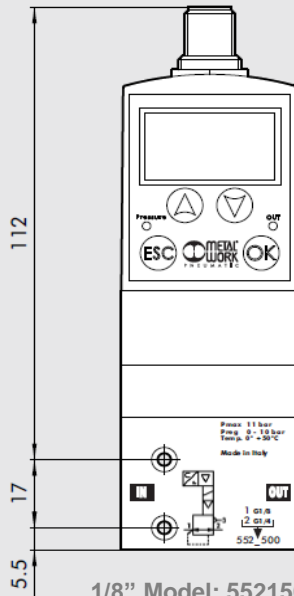
2357 Osmena Highway Malate,  
Sta. Ana, Manila Philippines  
Tel # 404-3782/83, 527-1236, 524-5374  
Fax # 404-3785 E-mail: kfti@pltdsl.net

A FLUID CONTROL SOLUTIONS COMPANY



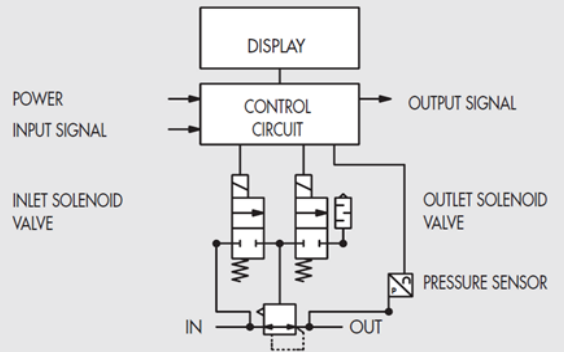


M5 Model: 5520500



1/8" Model: 5521500  
1/4" Model: 5522500

**Function Diagram**



**Input command options**

- Manual via key pad
- Current 4 to 20 mA
- Voltage 0 to 5V
- Voltage 0 to 10V
- RS232 Serial port

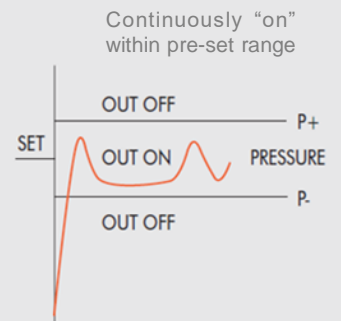
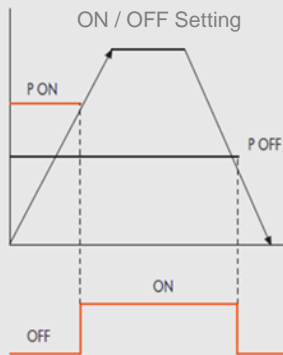
**Outputs**

Analog: 0 to 10V

Digital:

- 2 Digital outputs – one PNP and one NPN
- Can be configured independently as normally open or normally closed.
- The P "ON" and P "OFF" activation / deactivation

**Pressure Switch Function**

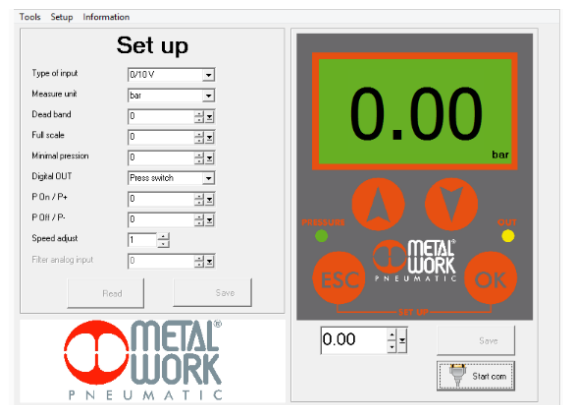


**Specifications:**

- Min inlet pressure: Regulation pressure + 1 bar
- Max inlet pressure: 11 bar
- Pressure regulation range: 0.05 bar to 10 bar
- Flow at 6.3 bar with 1 bar pressure drop:
  - M5 @ 10 NL/min
  - 1/8" @ 1050 NL/min
  - 1/4" @ 1700 NL/min
- Ambient temp: 0 to 50C
- Protection: IP65

**Set up options:**

- Manual – using key pad
- Remote control - Install REGTRONIC software and install from PC. It can be downloaded from [www.metalwork.eu](http://www.metalwork.eu)



KINETIC FLUIDTRONICS INC.

Website: [www.kfti.com.ph](http://www.kfti.com.ph)